



IEA Geothermal



GEOHERMAL ENERGY DEVELOPMENT FOR A GREEN ECONOMY

International Technology Collaboration Programme of the IEA and
Vietnam Institute of Geosciences and Minerals Resources (VIGMR)

Asian Workshop on Geothermal Energy

Sunday Evening, 12th of November 2017, 18:00 h : Welcome Reception

Venue: [Pullmann Hotel Hanoi](http://pullman-hanoi.com/), 40 Cat Linh Street, Dong Da district, 10000 Hanoi, Vietnam
<http://pullman-hanoi.com/>

Workshop Venue: [Vietnam Institute of Geosciences and Mineral Resources \(VIGMR\)](#), No. 67 Chien Thang Street, Van Quan commune, Ha Dong district, Hanoi, Vietnam

Monday, 13th of November 2017:

08:30 - 09:00 **Registration**

09:00 - 09:55 **Welcome and Introduction**

09:00 – 09:05

Welcome

09:05 – 09:30

Dr. Lothar Wissing (Chairman IEA Geothermal)

IEA Geothermal – Introduction and overview

09:30 – 09:55

tbc –

Head of Ministry of Natural Resources and Environment (MONRE)

Demand for geothermal energy development in Vietnam in the context of orientation to a green economy

09:55 – 10:20 **Coffee break** – Coffee and lunch provided by the organizers

10:20 – 12:00 **Session I: Potential / best practise of Geothermal Heat Pump Applications**

10:20 – 10:45

South Korea – Dr. Yoonho Song (Korea Institute of Geoscience & Mineral Resources, KIGAM)

Overview of geothermal heat pump applications – potential for mitigation of climate change in East and Southeast Asia

10:45 – 11:10

Japan – Dr. Kasumi Yasukawa (National Institute of Advanced Industrial Science and Technology, AIST)

Cooling with Ground Source Heat Pumps – lessons learned from South Eastern Asian countries

11:10 – 11:35

Germany – Leonhard Thien (Energy Agency of North Rhine-Westphalia)

Best practise for shallow geothermal – potential maps, quality standards and drilling



GEOHERMAL ENERGY DEVELOPMENT FOR A GREEN ECONOMY

11:35 – 12:00 Germany – Prof. Dr. Rolf Bracke (International Geothermal Centre Bochum)
Key factors and capacity building for developing geothermal energy

12:00 – 14:00 **Lunch** – provided by the organizers

14:00 – 15:15 **Session II: Reservoir development and innovative drilling technologies**

14:00 – 14:25 Germany – Stadtwerke München (SWM)

GRAMÉ – Optimized and sustained reservoir development for geothermal plants in the Bavarian molasse basin

14:25 – 14:50 Germany – Daniel Schindler (H. Anger's Söhne)

Innovative deep drilling technology

14:50 – 15:15 Germany – Jörg Lehr (Baker Hughes)

Electro Impulse Drilling and Innovative Configuration of Advanced Drilling Systems

15:15 – 15:45 **Coffee break** – Coffee and lunch provided by the organizers

15:45– 17:00 **Session III: Geothermal energy utilisation in low enthalpy regions of Europe**

15:45 – 16:10 United Kingdom – Dr. Jonathan Busby (British Geological Survey)

Geothermal Energy in the UK

16:10 – 16:35 Switzerland – Dr. Katharina Link (Geo-Future GmbH)

Minimization of primary energy consumption and CO₂ emissions by smart geothermal applications – examples from Switzerland

16:35 – 17:00 Germany – Johannes Linde (Erdwerk GmbH)

Geothermal District Cooling and binary power production in the City of Munich

17:00 **Closure of the first workshop day**

Monday evening, 13th of November 2017:

19:00 **Dinner – sponsored by IEA Geothermal, non-alcoholic drinks included.**



GEOHERMAL ENERGY DEVELOPMENT FOR A GREEN ECONOMY

Tuesday, 14th of November 2017:

- 09:00 – 10:20 **Session I: Innovative stimulation technologies**
- 09:00 – 09:25 Germany – Jörg Baumgartner (BESTEC)
Enhanced and engineered geothermal systems (tentative title)
- 09:25 – 09:50 Switzerland – Dr. Peter Meier (Geo-Energie Suisse AG)
Innovative Multi Stage Stimulation – a technology to enhance reservoir efficiency for heat storage and power projects
- 09:50 – 10:15 France – és Géothermie
Successful hydraulic stimulation of a geothermal reservoir – lessons learnt from France (tentative title)
- 10:15 – 10:45 **Coffee break** – Coffee and lunch provided by the organizers
- 10:45 – 12:00 **Session II: Exploration strategies and geothermal energy use in Asia**
- 10:45 – 11:10 Germany – Prof. Dr. Inga Moeck (Leibniz Institute for Applied Geophysics)
Geothermal Plays and exploration strategies
- 11:10 – 11:35 New Zealand – Chis Bromley (GNS Science)
Geophysical Signatures Useful for Identifying Naturally Occuring Hydrothermal Systems
- 11:35 – 12:00 Malaysia – Fredolin Javino (Geophysics Division at Minerals & Geoscience Department)
Exploration for Geothermal Power Production
- 12:00 – 12:25 Thailand – Dr. Kriangsak Pirarai (Department of Groundwater Resources)
Geothermal exploration and development in Thailand
- 12:25 – 14:30 **Lunch** – Lunch provided by the organizers
- 14:30 – 15:45 **Session III: Geothermal energy use in Asia (Part 2)**
- 14:30 – 14:55 Vietnam – Nguyen Thac Cuong (Ministry of Natural Resources and Environment, MONRE)
Current status of exploitation and utilization of hot mineral water resources in South central Vietnam
- 14:55 – 15:20 Vietnam – Tran Trong Thang (Vietnam Institute of Geosciences and Minerals Resources, VIGMR)
A summary of research and development history and geothermal potential in Vietnam
- 15:20 – 15:45 Taiwan – Prof. Dr. Sheng-Rong Song (National Taiwan University)
Geothermal Energy in Taiwan
- 15:45 – 16:15 **Coffee break** – Coffee and lunch provided by the organizers



GEOHERMAL ENERGY DEVELOPMENT FOR A GREEN ECONOMY

16:15 – 17:30	Session IV:	Geothermal energy use in Asia and New Zealand (Part 3)
16:15 – 16:40		Cambodia – Dr. Kong Sitha (Geology Department, Ministry of Mines and Energy) Geothermal Energy in Cambodia
16:40 – 17:05		New Zealand – Brian Carey (GNS Science) Geothermal Direct Use in New Zealand - case studies from Industries, Agriculture and the Tourist sector
17:05 – 17:30		Indonesia – Geothermal energy in Indonesia
17:30 – 17:55		Laos – Geothermal energy in Laos

17:55 – 18:05 Close – Final Discussion and Outlook

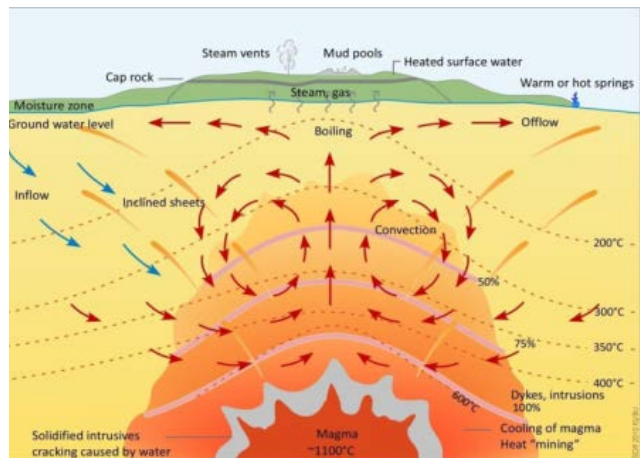
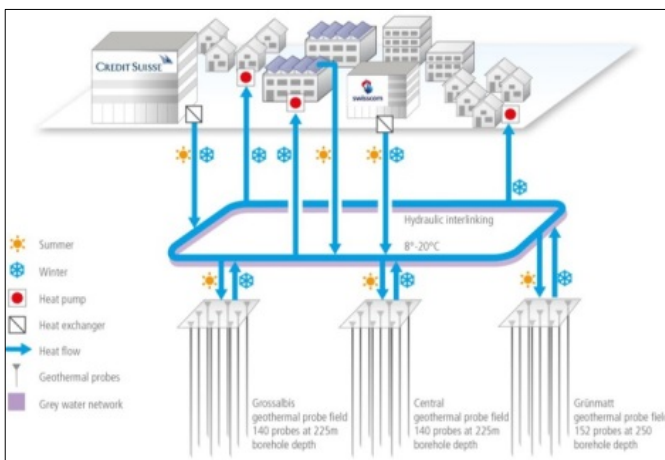
Registration: <http://iea-gia.org/asia-workshop-registration/>

Contact for international participants:

Mr. Tran Trong Thang (VIGMR), email: ttthang@yahoo.com; Tel: + 84 243 8544386
Katharina Link (IEA Geothermal), email: info@geo-future.expert

Further information about IEA Geothermal: <http://iea-gia.org/>

IEA Geothermal: Experience the broad spectrum and manifold opportunities of Geothermal Technologies, from Smart Thermal Grids to Deep Roots of Geothermal Systems



(Source left picture: Amstein + Walthert AG, Switzerland; right picture: K. Sæmundsson, ISOR, Iceland)



Expert Group of the IEA Technology Collaboration Programmes

DISCLAIMER NOTICE: The IEA Geothermal (also known as IEA Geothermal Implementing Agreement) functions within a framework created by the International Energy Agency (IEA). Views, findings and publications of the IEA Geothermal do not necessarily represent the views or policies of the IEA Secretariat or of all its individual member countries.